

DH-PSD8802-A180

4x2MP Multi-Lens Panoramic Network Camera+PTZ Camera



- Panoramic: Four 1/1.9" 2Megapixel progressive scan CMOS
- PTZ: One 1/1.9" 2Megapixel progressive scan CMOS
- H.265/H.264 triple-stream encoding
- 25fps@4096x1800+25/30fps@1080P
- Support 180-degree panoramic view
- Day/Night(ICR), 3DNR, AWB, AGC, BLC
- Smart tracking
- Intelligent Function
- Micro SD memory, IP67, IK10



System Overview

The Dahua PSD8802-A180 Panoramic Multi-Lens plus PTZ camera combines four (4) 2MP sensors working in tandem and a high-speed PTZ camera to create a comprehensive 180° view. With its all-in-one design, the camera provides a 180° panorama and provides region of interest details at the same time. In addition, the PSD8802-A180 offers the Intelligent Video System (IVS), a built-in video analytic algorithm that delivers intelligent functions to monitor a scene for Tripwire violations, intrusion detection and smart tracking. A camera with IVS quickly and accurately responds to monitoring events in a specific area. The PSD8802-A180 camera can replace multiple single-sensor cameras providing a higher return on investment.

Functions

Panoramic

Panoramic cameras provide 180°, 360° full range of video scene, bringing people a new sense of real live and interactive experience. Dahua provides two kinds of panoramic camera, single lens fisheye camera and multi-lens camera, both of them can offer 180-degree & 360-degree panoramic image. Through working together with PTZ camera which offer whole scene and region details at same time. It provided new surveillance experience to end user and improved the surveillance quality.

True Day/Night

A day/night mechanical IR cut filter makes this camera ideal for applications with fluctuating lighting conditions, delivering color images during the day and automatically switching to monochrome as the scene darkens.

Starlight Technology

Featured with Dahua Starlight Technology, the camera is ideal for applications with challenging light conditions. Its low light performance delivers usable video with minimal ambient light. Even in extreme low light conditions, Starlight Technology is capable of delivering color images in nearly complete darkness.

HEVC (H.265)

H.265 ITU-T VCEG is a new video coding standard. H.265 Following standard developed around the existing video coding standard H.264, some retain the original technology, while some of the relevant technology to improve the new technology uses advanced technology to improve the relationship between the code stream, encoding quality, and the delay between algorithm complexity, optimize settings specific contents include: Improve compression efficiency, improve the robustness and error recovery capabilities, real-time to reduce the delay, reduce channel acquisition time and a random access delay, reduce complexity, etc

Protection (IP67, IK10, wide voltage)

Supporting ±25% input voltage tolerance, this camera suits even the most unstable conditions for outdoor applications. Its 6KV lightning rating provides effective protection for both the camera and its structure against lightning. IP67 is supported by the camera, which makes it suitable for both indoor and outdoor environments. IK10 compliance enables the camera to sustain the equivalent of 55 kg (120lbs) force.

Environmental

Standard Dahua camera can function from -30°C to +60°C (-22 °F to +140 °F) with 95% humidity, meanwhile some models support heater module optional which allows the camera to function from -40°C to +60°C (-40 °F to +140 °F). With a temperature range of -40 °C to +60 °C, the camera is designed for extreme temperature environments.

Technical Specification

Panoramic Camera

Image Sensor	Four 1/1.9" 2Megapixel CMOS
Effective Pixels	4096(H)x1800(V)
Scanning System	Progressive
Electronic Shutter Speed	Auto/Manual, 1/3~1/100000s
Minimum Illumination	0.005Lux/F2.2(Color,1/3s,30IRE) 0.03Lux/F2.2(Color,1/30s,30IRE) 0.003Lux/F2.2(B/W,1/3s,30IRE) 0.02Lux/F2.2(B/W,1/30s,30IRE)
S/N Ratio	More than 50dB

Panoramic Lens

Lens Type	Fixed			
Mount Type	Board-in			
Focal Length	5mm			
Max. Aperture	F2.2			
Angle of View	H: 180°, V:80°			
DORI Distance	Detect	Observe	Recognize	Identify
	53m(178ft)	21m(69ft)	10m(33ft)	5m(17ft)

PTZ Camera

Image Sensor	1/1.9" 2Megapixel CMOS
Effective Pixels	1920(H)x1080(V)
RAM/ROM	1024MB/128MB
Scanning System	Progressive
Electronic Shutter Speed	Auto/Manual, 1~1/30000s
Minimum Illumination	0.002Lux/F1.5(Color,1/3s,30IRE) 0.01Lux/F1.5(Color,1/30s,30IRE) 0.001Lux/F1.5(B/W,1/3s,30IRE) 0.008Lux/F1.5(B/W,1/30s,30IRE)
S/N Ratio	More than 50dB

PTZ Lens

Lens Type	Motorized /Auto Iris(HALL)				
Mount Type	Board-in				
Focal Length	5.5mm~206mm				
Max. Aperture	F1.5				
Angle of View	H: 65.8°~2.0°				
Optical Zoom	37x				
Focus Control	Motorized				
DORI Distance	Lens	Detect	Observe	Recognize	Identify
	W	70m(229ft)	28m(92ft)	14m(46ft)	7m(23ft)
	T	2080m(6824ft)	832m(2730ft)	416m(1365ft)	208m(682ft)

PTZ

Pan/Tilt Range	Pan: 0° ~ 360° endless; Tilt: -20° ~ 90°, auto flip 180°
Manual Control Speed	Pan: 0.1° ~240° /s; Tilt: 0.1° ~120° /s
Presets	300
PTZ Mode	5 Pattern, 8 Tour, Auto Pan ,Auto Scan
Speed Setup	Human-oriented focal Length/ speed adaptation
Power up Action	Auto restore to previous PTZ and lens status after power failure
Idle Motion	Activate Preset/ Scan/ Tour/ Pattern if there is no command in the specified period
Protocol	DH-SD, Pelco-P/D (Auto recognition)

Intelligence

Auto Tracking	Support
IVS	Tripwire, Intrusion

Video

Compression	H.265/H.264	
Streaming Capability	3 Streams	
Resolution	Panoramic Camera	4096×1800/3840×1680/2880×1264/ /1920×832/1280×560/1024×452
	PTZ Camera	1080P(1920x1080)/ 1.3M(1280x960)/ 720P(1280x720)/ D1(704x576/704x480)/ CIF(352×288/352x240)
Frame Rate	Panoramic Camera	Main Stream: 4096x1800(1~25fps)
		Sub Stream: 1024x452 (1 ~ 25/30fps)
	PTZ Camera	Third Stream: 1920x832 (1 ~ 25/30fps)
		Main Stream: 1080P(1~50/60fps)
		Sub Stream: D1(1~50/60fps)
		Third Stream: 1080P(1~50/60fps)
Bit Rate Control		CBR/VBR
Bit Rate	Panoramic Camera	H.265: 14Kbps~ 8192Kbps H.264: 24Kbps~ 8192Kbps
	PTZ Camera	H.265: 4Kbps~ 8192Kbps H.264: 8Kbps~ 7168Kbps
Day/Night		Auto(ICR) / Color / B/W
BLC Mode		BLC / HLC / DWDR
White Balance		Auto/Natural/Street Lamp/Outdoor/Manual
Gain Control		Auto/Manual
Noise Reduction		3D DNR
Motion Detetion		Off / On (4 Zone, Rectangle)
Region of Interest		Off / On (4 Zone)
Electronic Image Stabilization(EIS)		N/A
Smart IR		N/A
Defog		Support(For PTZ Camera only)

Digital Zoom	16x	
Flip	N/A	
Mirror	N/A	
Privacy Masking	Panoramic Camera	Off / On (4 Area, Rectangle)
	PTZ Camera	Off / On (24 Area, Rectangle)

Audio

Compression	G.711a/G.711Mu/AAC/ G.726
-------------	---------------------------

Network

Ethernet	RJ-45 (100/1000Base-T)
Protocol	HTTP;HTTPS;TCP;ARP;RTSP;RTP;UDP;SMTP;FTP;DHCP;DNS;DDNS;PPPOE;IPv4/v6;QoS;UPnP;NTP;Bonjour;802.1x;Multicast;IGMP;SNMP
Interoperability	ONVIF, PSIA, CGI
Streaming Method	Unicast / Multicast
Max. User Access	10 Users/20 Users
Edge Storage	NAS Local PC for instant recording Mirco SD card 128GB
Web Viewer	IE, Chrome, Firefox, Safari
Management Software	Smart PSS, DSS, Easy4ip
Smart Phone	IOS, Android

Certifications

Certifications	CE (EN 60950:2000) UL:UL60950-1 FCC: FCC Part 15 Subpart B
----------------	--

Interface

Video Interface	1 Port(For PTZ Camera only)
Audio Interface	2/1 channel In/Out
RS485	1 Port
Alarm	7 channel In: 5mA 5VDC 2 channel Out: 1A 30VDC / 0.5A 50VAC

Electrical

Power Supply	DC36V
Power Consumption	<120W

Environmental

Operating Conditions	-40° C ~ +60° C (-40° F ~ +140° F) / Less than 95% RH
Storage Conditions	-40° C ~ +60° C (-40° F ~ +140° F) / Less than 95% RH
Ingress Protection	IP67
Vandal Resistance	IK10

Construction

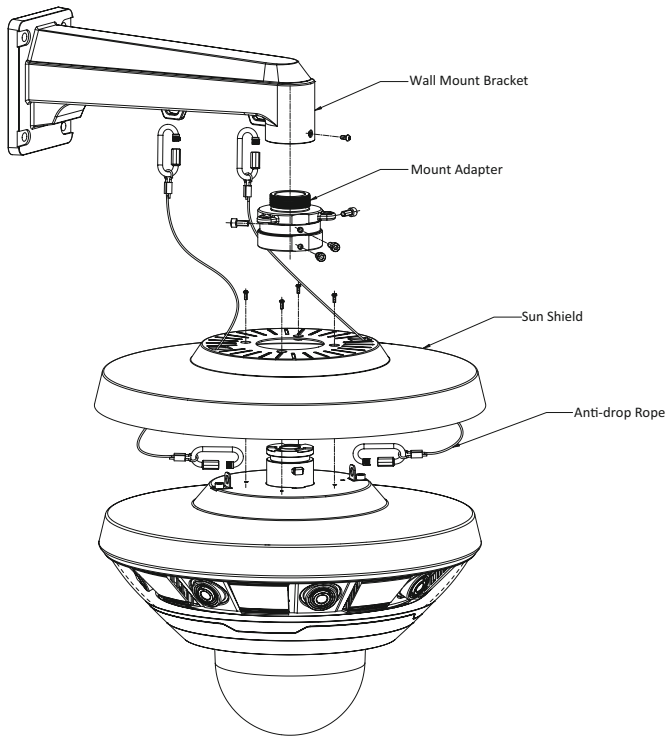
Casing	Metal
Dimensions	Φ449.5mm×342.5mm(Φ17.7"×13.48")
Net Weight	16kg(35.27lb)
Gross Weight	25kg(55lb)

Ordering Information

Type	Part Number	Description
Panoramic+ PTZ camera	DH-PSD8802P-A180	4x2MP Multi-Lens Panoramic Network Camera+PTZ Camera, PAL
	DH-PSD8802N-A180	4x2MP Multi-Lens Panoramic Network Camera+PTZ Camera,NTSC
	PSD8802P-A180	4x2MP Multi-Lens Panoramic Network Camera+PTZ Camera, PAL
	PSD8802N-A180	4x2MP Multi-Lens Panoramic Network Camera+PTZ Camera,NTSC
Accessories (included)	Mount Adapter	Mount Adapter
	Wall Mount Bracket	Wall Mount Bracket
	DC36V/4.17A	Power Supply



Accessories



Dimensions (mm/inch)

